

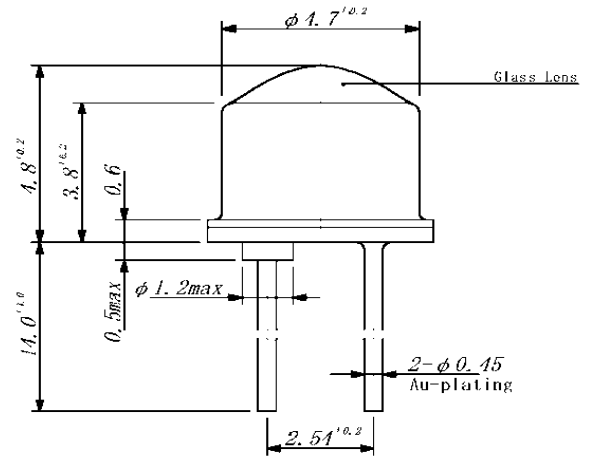
MTE8700N

Features

High Output Power
Parallel Rays
High Reliability

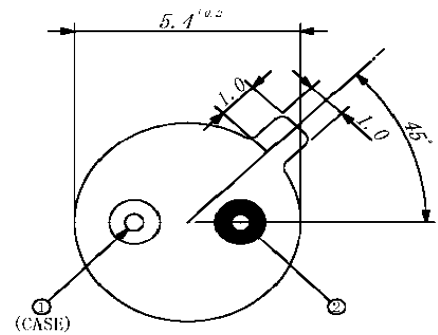
Applications

Optical Switches
Linear Rotary Encoder



Maximum Ratings (Ta=25°C)

Characteristic	Symbol	Max.	Test Condition	Unit
Forward Current	I _F	100	–	mA
Pulsed Forward Current	I _{FP}	1.00	tw=10μS, T=10mS	A
Reverse Voltage	V _R	5	–	V
Power Dissipation	P _D	200.00	–	mW
Operating Temperature	T _{opr}	–30 ~ +100	–	°C
Storage Temperature	T _{stg}	–40 ~ +125	–	°C
Junction Temperature	T _j	125	–	°C
Soldering Temperature	T _{sol}	260	for 5 sec. max	°C



① Cathode ② Anode

Opto-Electrical Characteristics (Ta=25°C)

Characteristic	Symbol	Test Condition	Min	Typ	Max	Unit
Forward Voltage	V _F	I _F =50mA	–	1.55	2.00	V
Reverse Current	I _R	V _R =5V	–	–	10	μA
Power Output	PO	I _F =50mA	–	6.50	–	mW
Half Intensity Beam Angle	θ	–	–	± 4°	–	deg.
Peak Wavelength	λ _p	I _F =50mA	–	870	–	nm
Spectral Line Half Width	Δλ	I _F =50mA	–	45	–	nm
Temp Coefficient of PO	P/T	I _F =10mA	–	–.30	–	%/°C
Temp Coefficient of V _F	V/T	I _F =10mA	–	–2.10	–	mV/°C
Junction Capacitance	C _j	1 MHz, V=0V	–	50	–	pF

MTE8700N Graphs

